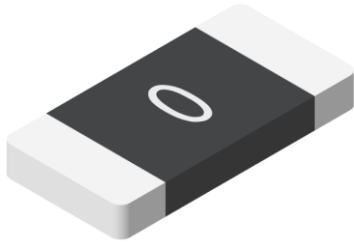


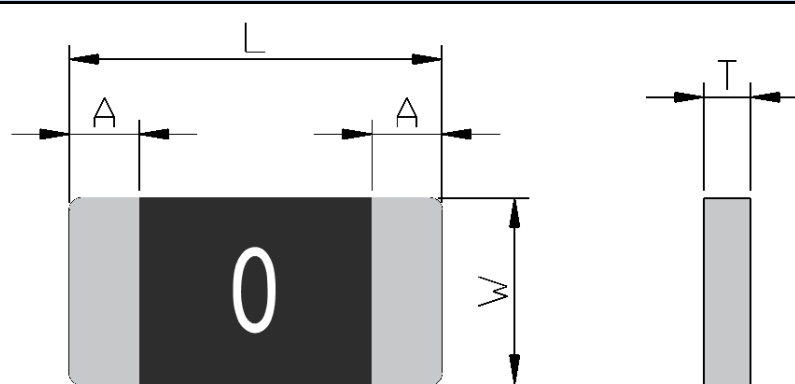
**Zero-ohm jumper SMD resistor (0.0002Ω Max),
pure copper package, SMT type**

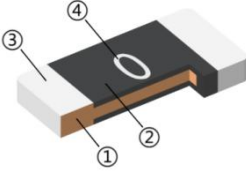
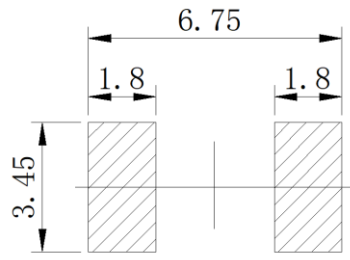


Features:

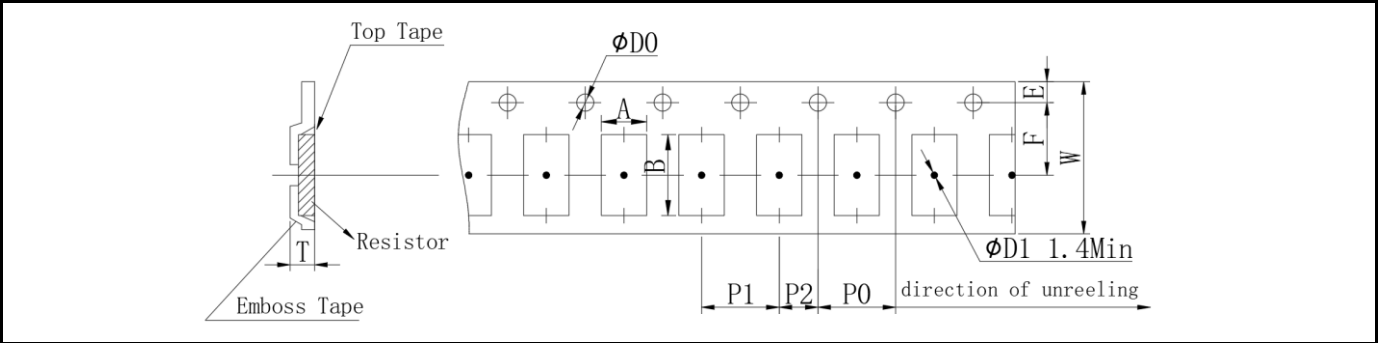
- Pure copper structure, ultra low resistance < 0.0002Ω, ideal for high-current bridging applications.
- Versatile for power layout jumper routing.
- Continuous current up to 100 A.
- RoHS compliant.
- Customization

Parameter:	
Resistance value	<0.2mΩ
Temperature range	3W
Inductance	-55°C +170°C
Insulation Voltage	<3nH
Current	50VAC
Resistance value	120A

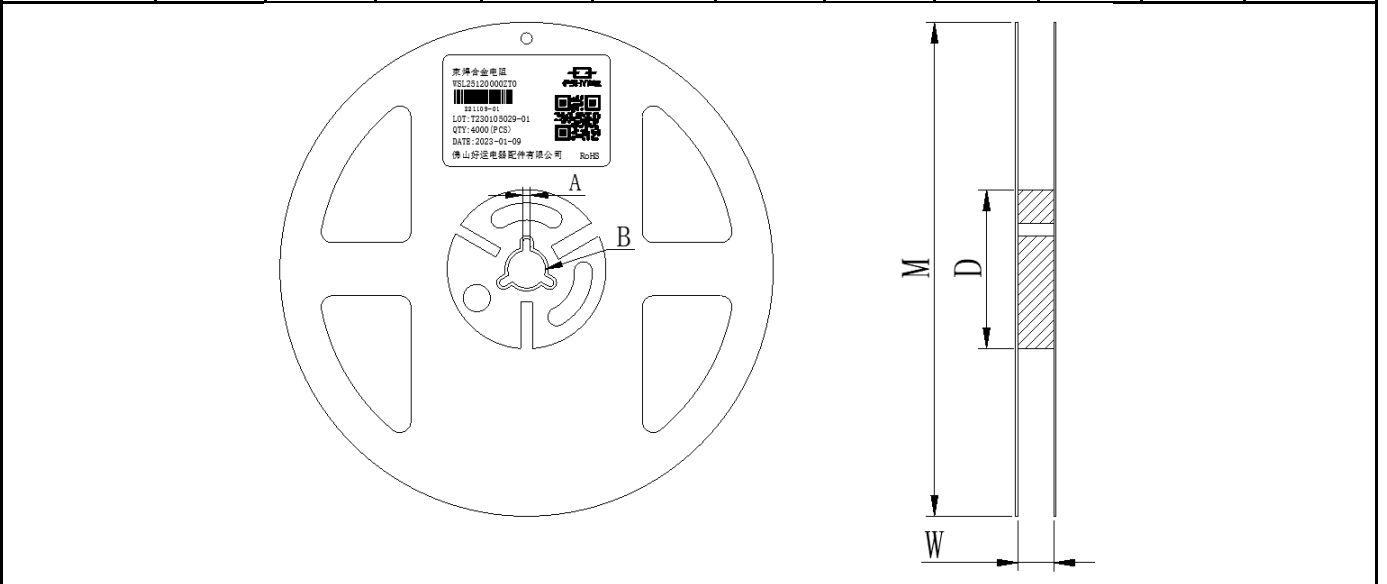
Dimensions(mm):							
							
Series	Resistance Value	Resistance value	Standard packaging	L (mm)	W (mm)	T (mm)	A (mm)
WSL2512	3W	<0.0002	4000	6.4±0.2	3.2±0.2	0.8±0.15	1.1±0.2

Construction:	Recommended pad and size(mm):
 <ul style="list-style-type: none"> 1.Pure copper structure 2.High-temperature resistant, insulated & flame-retardant resin 3.Plating (Ni + Sn) 4.Markings 	

Packing specifications and size (Units:mm):



Type	A	B	W	E	F	P0	P1	P2	$\phi D0$	T	Quantity
2512	3.5	6.8	12	1.75	5.5	4	4	2	1.5	1.2	4000



Reel Type	W	M	A	B	D
7" reel for 12mm tape	12.3±0.5	$\phi 178 \pm 2.0$	2.0±0.5	$\phi 13.5 \pm 0.5$	$\phi 60.0 \pm 1.0$



Disclaimer:

All product, product specifications and data are subject to change without further notice. Product specifications are not enlarged or modified in any other way, FSHY makes no statement or guarantee except for the specifications in the sales terms and conditions. The information provided in data sheets or specifications may vary from actual results in different applications. Any statement made by FSHY regarding the suitability of its products for certain types of applications is based on its knowledge of the typical requirements placed on its products.

It is customer's responsibility to verify that whether a specific product with the attributes described in the product specifications is suitable for the intended application. This document does not grant any express or implied or other license to any intellectual property. Any liability arising from the application or use of any product shall be governed by FSHY's sales terms and conditions.

Version Update Log:

Version NO.	Update record	Person in charge	Date
A0	Version Release	Zhu Sheguang	2022/02/21
A1	Updated version released	Qingke Zeng	2023/10/07